

Series AS Rigging systems

TUBE

Spot AS-3 AS-5

This new solution on the professional audio market is simple to implement and offers an exceptional modularity of placement of the speakers by taking advantage of the light rails as support.

and offers an exceptional modularity of placement of the speakers by taking advantage of the light rails as a support.

Application	Rail lumière
Orientation	2 axis 360°
Name	kit spot 1 adaptateur rail lumière avec goujon et rondelle M6 1 manchon M6 1 tube d'extension Ø 16 (montage) 2 vis STHC M5 (sécurité) 1 vis STHC M5 1 kit noix de serrage
Weight	0,39 kg
Material	Acier/aluminium
Colour	Standard noir RAL9011 Standard blanc RAL9016 Variante de RAL au choix

Accessoires

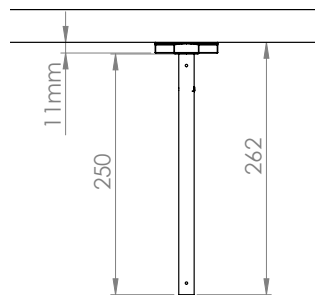
+ Collar nut kit

mount two AS-3 on a spot kit

Extension tube kit

Increase the length of the tube for ceiling mounting.

Dimensions



Security

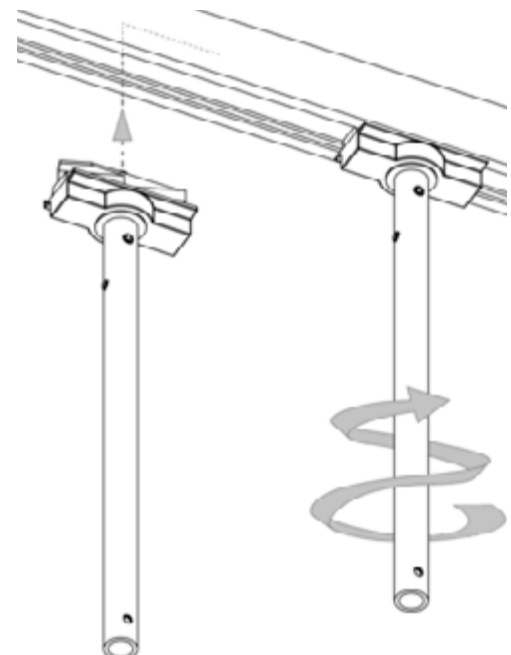
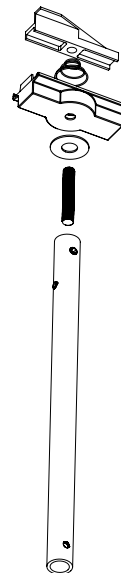
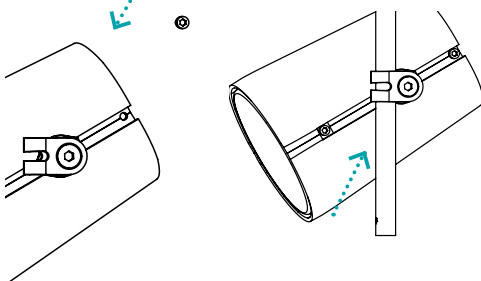
Load capacity of the light rail adapter 10 kg.

Load capacity for AS-3: 2 kg

Load capacity for AS-5: 5 kg

1 safety screw at the end of the rail

1 safety screw at the end of the tube



Series AS

Rigging systems



FRENCHFLAIR
AUDIO

TUBE

Stage
AS-3 AS-5

For ephemeral applications such as trade shows or temporary exhibitions, the extension tube allows AS-3 and AS-5 loudspeakers to be installed on tubular aluminum stage structures.

Application	Stage structure
Orientation	2 axis 360°
Name	Stage kit 1 manchon M6 1x extension tube \varnothing 16 2x M5 STHC screw 1x M5 STHC screw 1 kit noix de serrage
Weight	0,4 kg
Material	Aluminium
Colours	Black standard RAL9011 White standard RAL9016 All Rals

Security

Load capacity depending on the clamp used.

Load capacity for the AS-3: 2 kg

Load capacity for AS-5: 5 kg

1x safety screw at the end of the rail

1 safety screw at the end of the tube

Accessories

+ scenic truss

+ Collar nut kit

+ Extension tube kit

Dimensions

