

Gamme AS Rigging systems



FRENCHFLAIR
AUDIO

SUSPENSION

Si Pendant AS-3

The Pendant Si suspension kit allows for overhead sound from high ceilings and meets the needs of distributed or localized public address systems by freeing themselves from walls or supporting surfaces. By using isolated suspension cables, the signal transmission is integrated within the mechanical functionalities of the system. The self-locking holders, both at the top and bottom, offer an easy and simple way to adjust the height of the system and the loudspeaker.

Application	Overhead
Orientation	Vertical fixed
Reference	FF/AS3DSi
Name	Si Pendant kit
<i>Details</i>	1x Ceiling disc 1x Ceiling fixing bracket 2x M6x30 bolt 1x M8x20 bolt 1x M8 nylon washer 2x Self-locking rigging holder with security nut 2x Self-locking rigging holder with extended M6 thread
Weight	0,28 kg
Material	Aluminum
Colour	Standard black RAL9011
<i>Powder coating</i>	Standard white RAL9016 Custom RAL

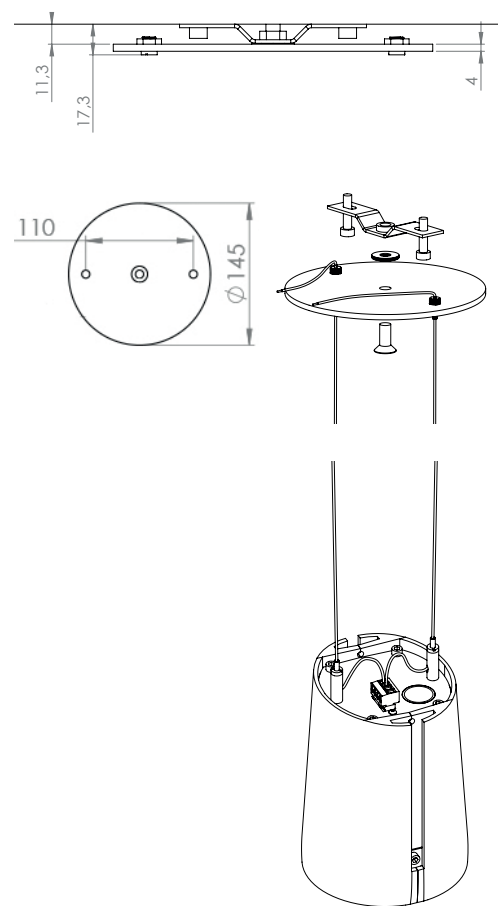
Security

Self-locking rigging holders

Load capacity: 2x 10kg
Useful load: 1.9 kg



Dimensions



Accessories (included)

+ Isolated cables x2
standard length = 2m

