

# Series AS Rigging systems

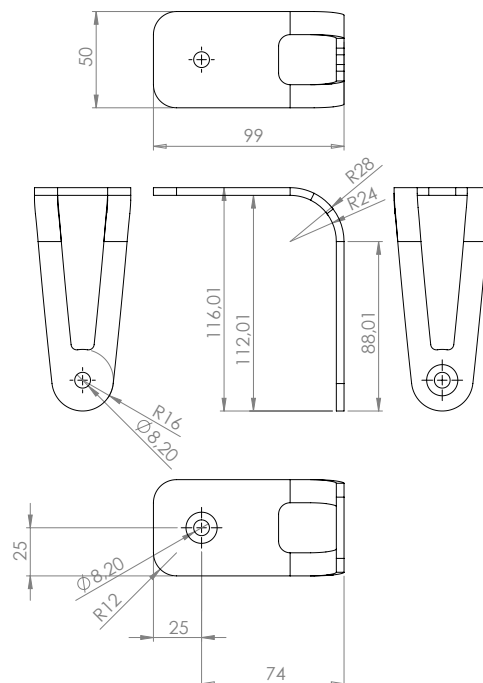
## BRACKET

### AS-3

Use this simple and economical solution.  
The lyre, a great classic redesigned

<b>Application</b>	Wall Under ceiling
<b>Orientation</b>	2 axis 360°
<b>Name</b>	Bracket kit AS-3

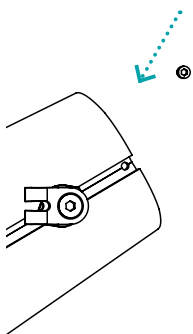
## Dimensions



<b>Weight</b>	0,2 kg
<b>Material</b>	Aluminum
<b>Colours</b>	Black standard RAL9011 White standard RAL9016 All RALs

## Security

1x safety screw at the end of the rail



# Series AS Rigging systems



FRENCHFLAIR  
AUDIO

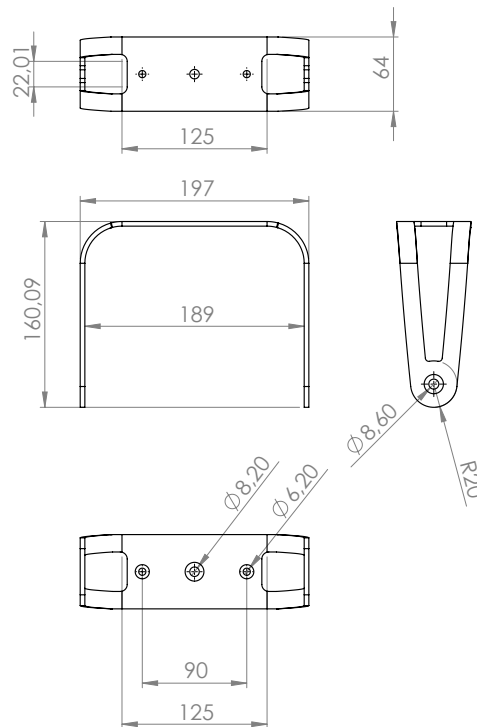
## BRACKET

AS-5

Use this simple and economical solution. In particular, the bows allow the speakers to be mounted on a decoupling spring.

<b>Application</b>	Wall Under ceiling
<b>Orientation</b>	2 axis 360°
<b>Name</b>	Bracket kit AS-5

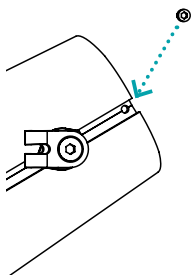
## Dimensions



<b>Weight</b>	0,22 kg
<b>Material</b>	Aluminum
<b>Colours</b>	Black standard RAL9011 White standard RAL9016 All RALs

## Security

1x safety screw at the end of the rail



# Series AS Rigging systems

## BRACKET

### AS-8

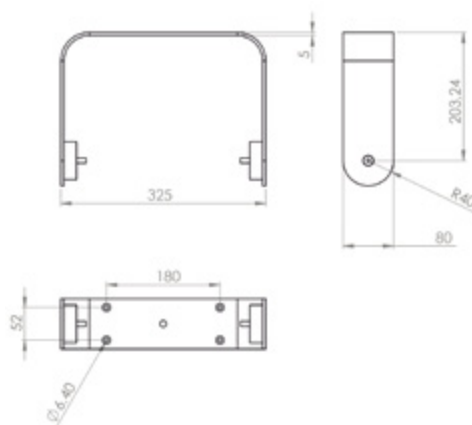
Use this simple and economical solution.  
The classic bracket of speaker integration is redesigned to be not only utilitarian but also aesthetically

**Application** Wall  
Under ceiling

**Orientation** +/- 90°

**Name** kit Lyre AS-8

## Dimensions



**Weight** 0,84 kg

**Material** Aluminum

**Colours** Black standard  
RAL9011  
White standard  
RAL9016  
All RALs