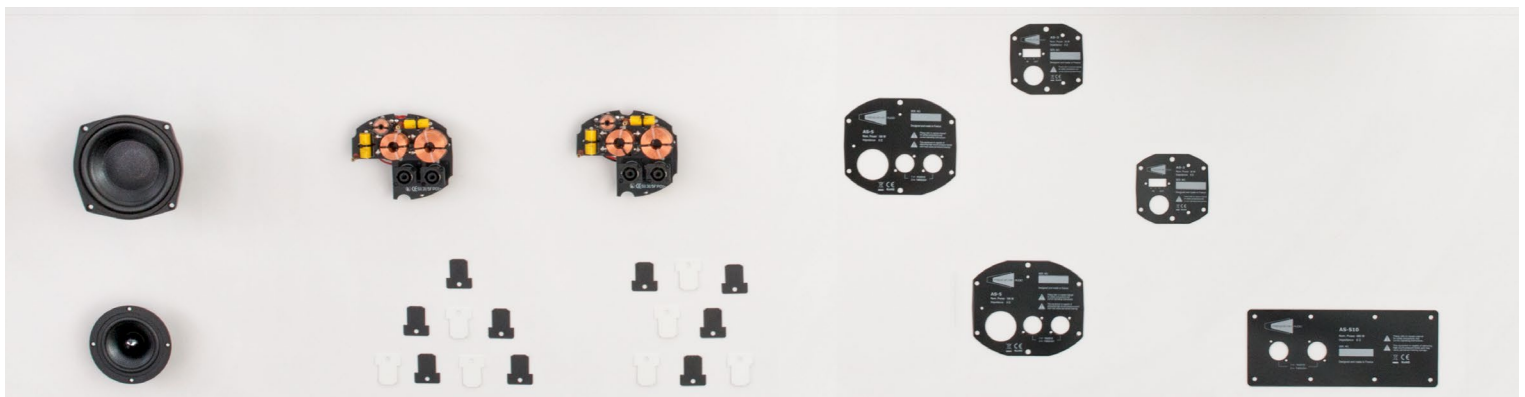


AS Series PRODUCTS



Rév. C EN 01/2015

AS



Series

PRODUCTS

AS-S10



AS-5



AS-3



The AS Series embodies a new interface between professional audio and interior design.

Extended mounting possibilities, premium electroacoustic specifications and an approach driven by the design of the products, offers a range of unique solutions for the pro installation market.

The AS Series comprises 3 models with an optimum size to performance ratio, the [AS-3](#), the [AS-5](#) and the [AS-S10](#). The concept evolved using the latest acoustic design methods, and they constitute a very coherent system able to cover a wide range of applications.

Vary the number and mixture of the different models, and create a system for any situation.

AS stands for Aluminium Speakers. Constructing our products in aluminium is a deliberate choice for durable mechanical and aesthetic values. It blends the rigidity of a light material, with the style demanded for well designed architectural products.

Designed and made in France, our loudspeakers are equipped with carefully selected transducers, from the finest European companies.

AS Series PRODUCTS

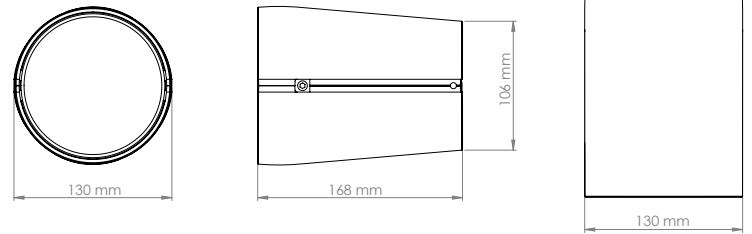


AS-3 Datasheet

Electro acoustic specifications

| | |
|-------------------------|------------------------------|
| Type | Passive wide-range speaker |
| Design | Bass-reflex |
| Driver | neodymium 3,3" |
| Frequency response | 120 - 20 KHz |
| Efficiency 1W/1m | 87 dB SPL |
| Nominal impedance | 8 Ohm |
| Dispersion | Conical 90°@4kHz ; 60°@10KHz |
| Power rating AES ; peak | 30 W ; 120 W |
| Amp. power required | 60 à 120 W |
| Maximum level @ 1m | 107 dB SPL max |

Product dimensions

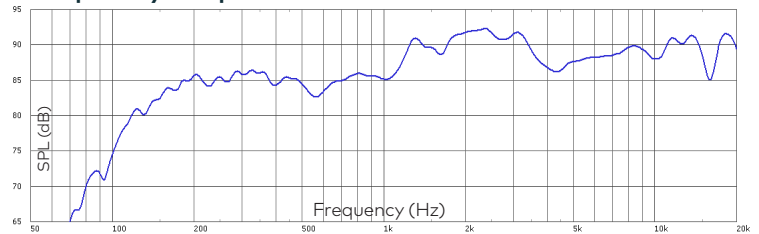


Product characteristics

| | |
|---------------------|--|
| Enclosure | Cast Aluminum |
| Finishes | Standard/custom painting color * |
| Front | Removable. 15 colored* acoustic cloth on perforated metal sheet. |
| Connexions | Phoenix Contact 1-2 IN/3-4 OUT |
| Weight | 1,5 Kg net ; 1,8 Kg shipping |
| Shipping dimensions | 160.160.170 mm |

* See: AS Series - Finishes

Frequency response



Options and accessories

| | |
|-----------------------|---|
| 100 V Line (AS-3 100) | 5/10/20 W Transformer |
| Weight | 2,3 Kg net ; 2,6 Kg shipping |
| Rigging options | 3 lines of mounting solutions* : Masts - Suspensions - Tubes |
| Subwoofer | AS-S10 |
| Xover frequency | 110-140 Hz |

* See :
AS Series - Integration
AS Series - Integration service manual



AS Series PRODUCTS

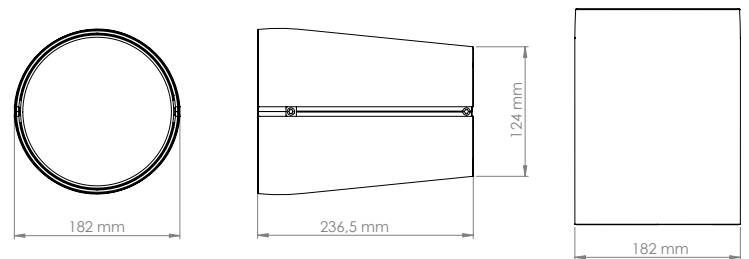


AS-5 Datasheet

Electro acoustic specifications

| | |
|-------------------------|--|
| Type | Passive wide-range speaker |
| Design | Bass-reflex |
| Driver | coaxial 5" woofer + 1" compression (ferrite) |
| Frequency response | 80 - 20 KHz |
| Efficiency 1W/1m | 91 dB SPL |
| Nominal impedance | 8 Ohm |
| Dispersion | Conical 90°@2KHz ; 70°@10KHz |
| Power rating AES ; peak | 100 W ; 400 W |
| Amp. power required | 200 à 400 W |
| Maximum level @ 1m | 117 dB SPL max |

Product dimensions



Product characteristics

| | |
|---------------------|--|
| Enclosure | Cast aluminum |
| Finishes | Standard/custom painting color * |
| Front | Removable. 15 colored* acoustic cloth on perforated metal sheet. |
| Connexions | 4-pin 2 speakon connectors |
| Weight | 4,5 Kg net ; 4,8 Kg shipping |
| Shipping dimensions | 200.200.250 mm |

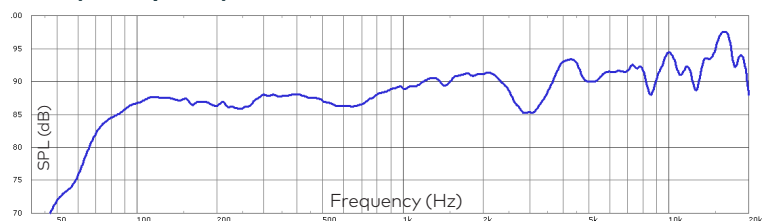
* See: AS Series - Finishes

Options and accessories

| | |
|-----------------|---|
| Integration | 3 lines of mounting solutions* : Masts - Suspensions - Tubes |
| Subwoofer | AS-S10 |
| Xover frequency | 110-140 Hz |

* See :
AS Series - Integration
AS Series - Integration service manual

Frequency response



AS Series PRODUCTS

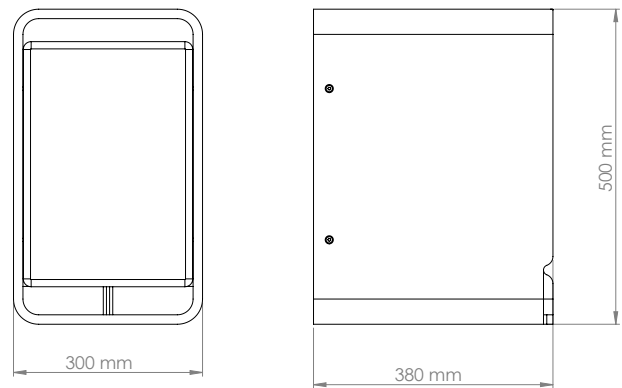


AS-S10 Datasheet

Electro acoustic specifications

| | |
|-------------------------|------------------------------|
| Type | Passive subwoofer |
| Design | Bass-reflex |
| Driver | High-excursion neodymium 10" |
| Frequency response | 45 - 250 Hz |
| Efficiency 1W/1m | 96 dB SPL |
| Nominal impedance | 8 Ohm |
| Dispersion | Omnidirectionnel |
| Power rating AES ; peak | 400 W ; 1600 W |
| Amp. power required | 800 à 1600 W |
| Maximum level @ 1m | 126 dB SPL max |

Product dimensions



Product characteristics

| | |
|---------------------|--|
| Enclosure | Multiply Birchwood |
| Finishes | Standard Black RAL 9010 White RAL 9016 |
| Front | Removable. 15 colored* acoustic cloth on perforated metal sheet. |
| Connexions | 4-pin 2 speakon connectors |
| Weight | 15 Kg net ; 17,5 Kg shipping |
| Shipping dimensions | 400.600.485 mm |

* See: AS Series - Finishes

Frequency response

