

# AS Series PRODUCTS

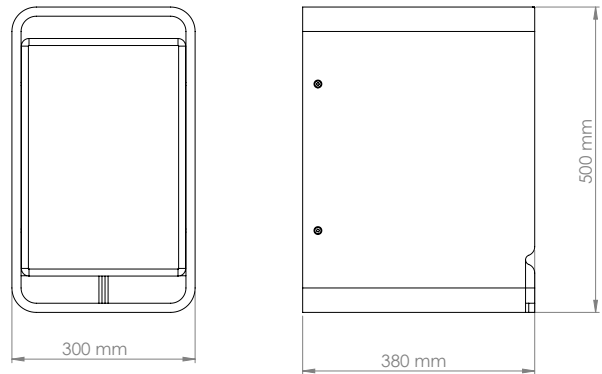
AS-S10 Datasheet



## Electro acoustic specifications

Type	Passive subwoofer
Design	Bass-reflex
Driver	High-excursion neodymium 10"
Frequency response	45 - 250 Hz
Efficiency 1W/1m	96 dB SPL
Nominal impedance	8 Ohm
Dispersion	Omnidirectionnel
Power rating AES ; peak	400 W ; 1600 W
Amp. power required	800 à 1600 W
Maximum level @ 1m	126 dB SPL max

## Product dimensions



## Product characteristics

Enclosure	Multiply Birchwood
Finishes	Standard Black RAL 9010 White RAL 9016
Front	Removable. 15 colored* acoustic cloth on perforated metal sheet.
Connexions	4-pin 2 speakon connectors
Weight	15 Kg net ; 17,5 Kg shipping
Shipping dimensions	400.600.485 mm

\* See: AS Series - Finishes

## Frequency response

